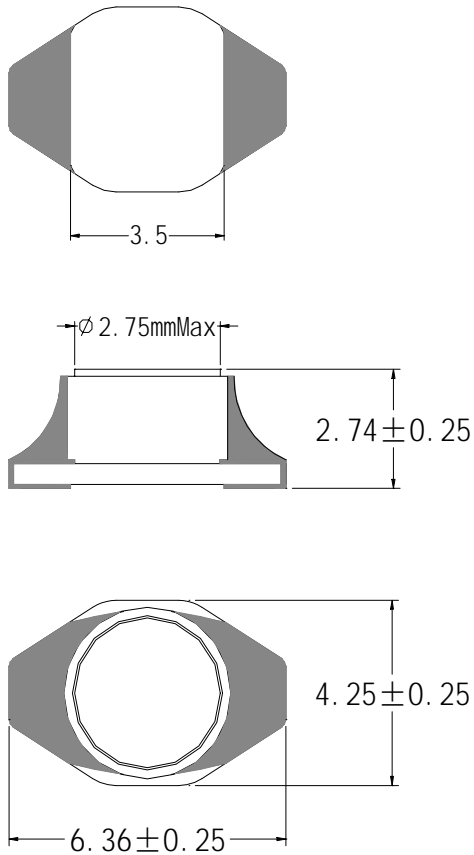
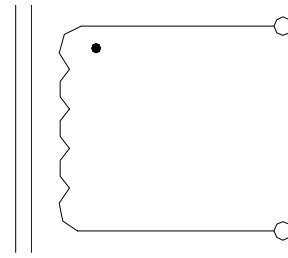


SDBC Series

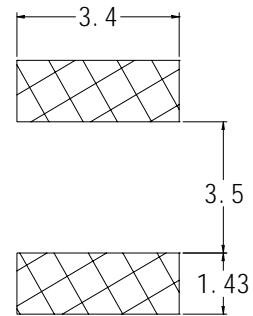
MECHANICAL DIMENSIONS(mm)



SCHEMATIC



MOUNTING PATTERN



ELECTRICAL CHARACTERISTICS

Part No.	Electrical Performance		
	INDUCTANCE (uH)	DCR(Ω) Max	RATED DC CURRENT(A)
SDBC03-1R0	1.0	0.5	2.9
SDBC03-100	10	0.15	1.1
SDBC03-220	22	0.37	0.7
SDBC03-330	33	0.51	0.58
SDBC03-680	68	0.86	0.40
SDBC03-471	470	5.06	0.16
SDBC03-681	680	9.2	0.14
SDBC03-102	1000	13.8	0.1

Test: HP4275A 100KHz 0.1V 25°C