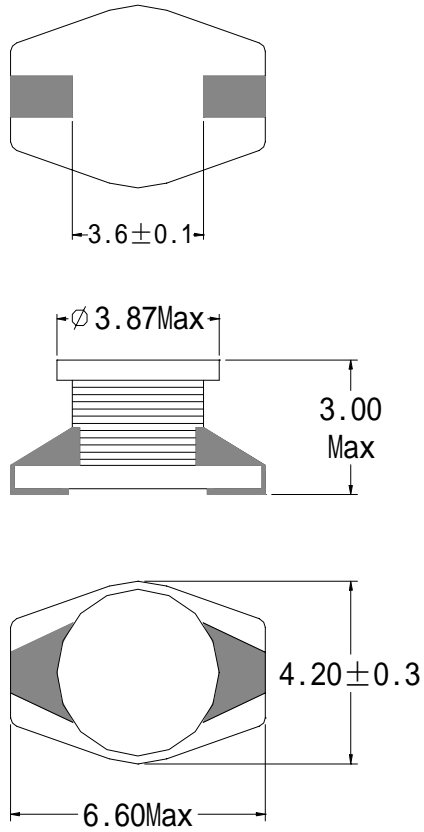
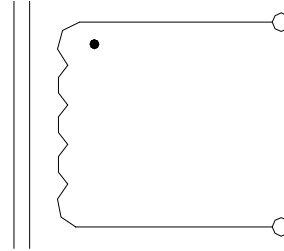


# DB04 Series

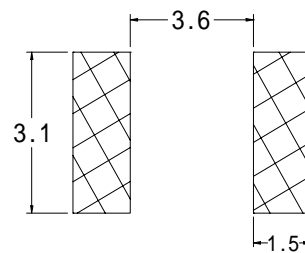
## MECHANICAL DIMENSIONS(mm)



## SCHEMATIC



## MOUNTING PATTERN



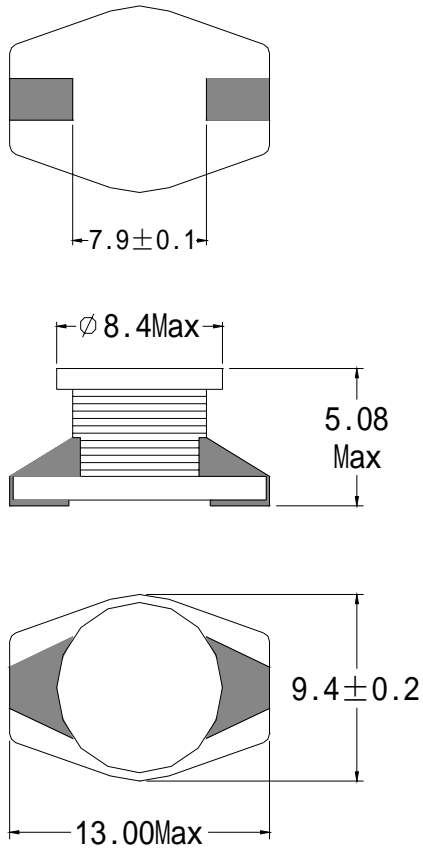
## ELECTRICAL CHARACTERISTICS

Part No.	Electrical Performance		
	INDUCTANCE (uH)	DCR(Ω) Max	RATED DC CURRENT(A)
DB04-1R0	1.0	0.05	2.9
DB04-2R2	2.2	0.07	2.3
DB04-100	10	0.16	1.1
DB04-330	33	0.51	0.58
DB04-151	150	2.0	0.27
DB04-102	1000	13.8	0.10

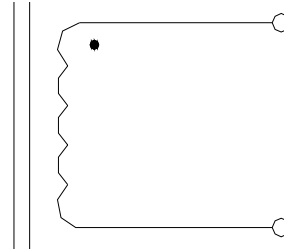
Test: HP4275A 100KHz 0.1V 25°C

# DB08 Series

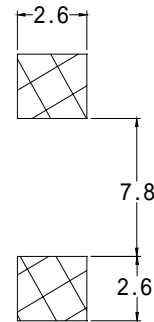
## MECHANICAL DIMENSIONS(mm)



## SCHEMATIC



## MOUNTING PATTERN



## ELECTRICAL CHARACTERISTICS

Part No.	Electrical Performance		
	INDUCTANCE ( $\mu$ H)	DCR( $\Omega$ ) Max	RATED DC CURRENT(A)
DB081-1R0	1.0	0.009	9.0
DB081-4R7	4.7	0.018	5.4
DB081-220	22	0.085	2.6
DB081-101	100	0.28	1.2
DB081-471	470	1.27	0.5
DB081-102	1000	3.0	0.3
DB082-1R5	1.5	0.010	8.0
DB082-6R6	6.6	0.027	4.6
DB082-680	68	0.20	1.4
DB082-331	330	1.02	0.5
DB082-681	680	2.02	0.4
DB082-102	1000	3.50	0.3

Test: HP4275A 100KHz 0.1V 25°C