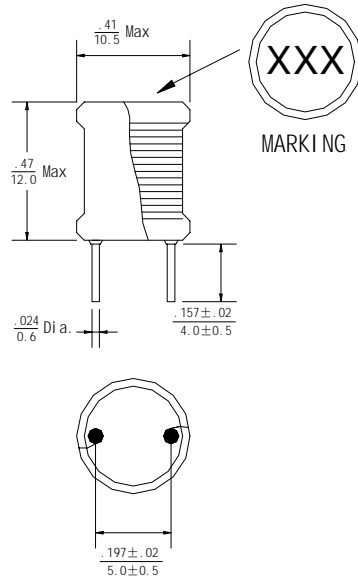


Bobbin Core Power Inductors-B0810 Series

Dimensions

B0810



Tolerance of Inductance:

3.3uH-8.2uH $\pm 20\%$ (M); 10uH-1.0mH $\pm 10\%$ (K)

Inductance tested @100KHZ, 0.1Vrms.

Operating temperature range -40°C-85°C.

Part No.	Inductance (uH)	DCRmax(Ω)	Irms		SRF typ (MHz)
			20°C rise (A)	40°C rise(A)	
B0810-3R3	3.3	0.01	7.0	8.5	47.0
B0810-4R7	4.7	0.01	6.4	8.8	33.0
B0810-5R6	5.6	0.02	5.8	8.1	28.0
B0810-6R8	6.8	0.02	5.2	7.4	26.0
B0810-8R2	8.2	0.02	4.6	6.7	25.0
B0810-100	10	0.03	4.0	6.0	23.0
B0810-120	12	0.03	3.8	5.7	20.0
B0810-150	15	0.04	3.5	5.3	18.0
B0810-180	18	0.04	3.3	5.0	15.0
B0810-220	22	0.05	3.1	4.6	14.0
B0810-270	27	0.07	2.8	4.3	11.0
B0810-330	33	0.08	2.6	3.9	10.0
B0810-390	39	0.09	2.4	3.6	10.0
B0810-470	47	0.10	2.1	3.2	9.5
B0810-560	56	0.15	1.9	2.9	8.0
B0810-680	68	0.17	1.7	2.5	7.0
B0810-820	82	0.20	1.4	2.2	7.0
B0810-101	100	0.22	1.2	1.8	6.0
B0810-121	120	0.29	1.1	1.7	5.0
B0810-151	150	0.34	1.1	1.6	4.5
B0810-181	180	0.38	1.0	1.5	4.0
B0810-221	220	0.44	0.93	1.40	4.0
B0810-271	270	0.62	0.86	1.28	3.8
B0810-331	330	0.70	0.80	1.20	3.6
B0810-391	390	0.88	0.73	1.10	3.0
B0810-471	470	1.00	0.66	0.97	2.7
B0810-561	560	1.11	0.60	0.86	2.5
B0810-681	680	1.45	0.53	0.76	2.5
B0810-821	820	1.70	0.46	0.66	2.1
B0810-102	1000	2.20	0.40	0.55	2.1