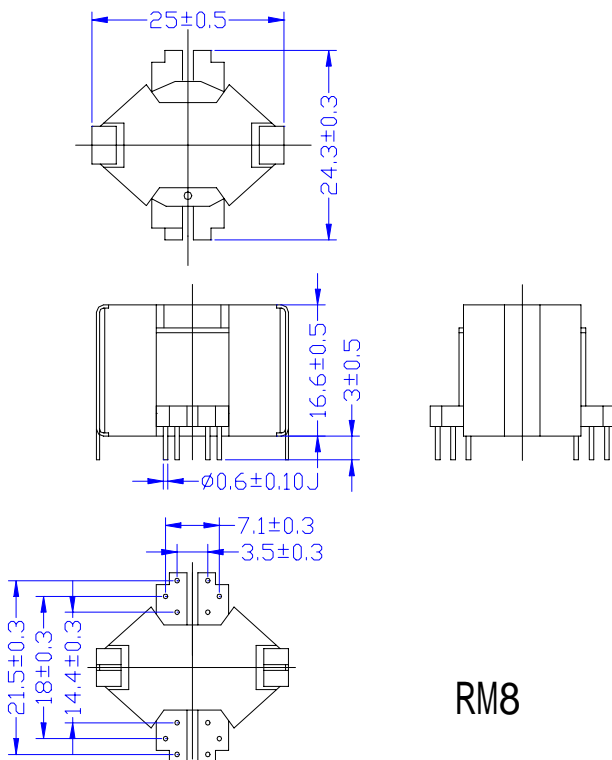
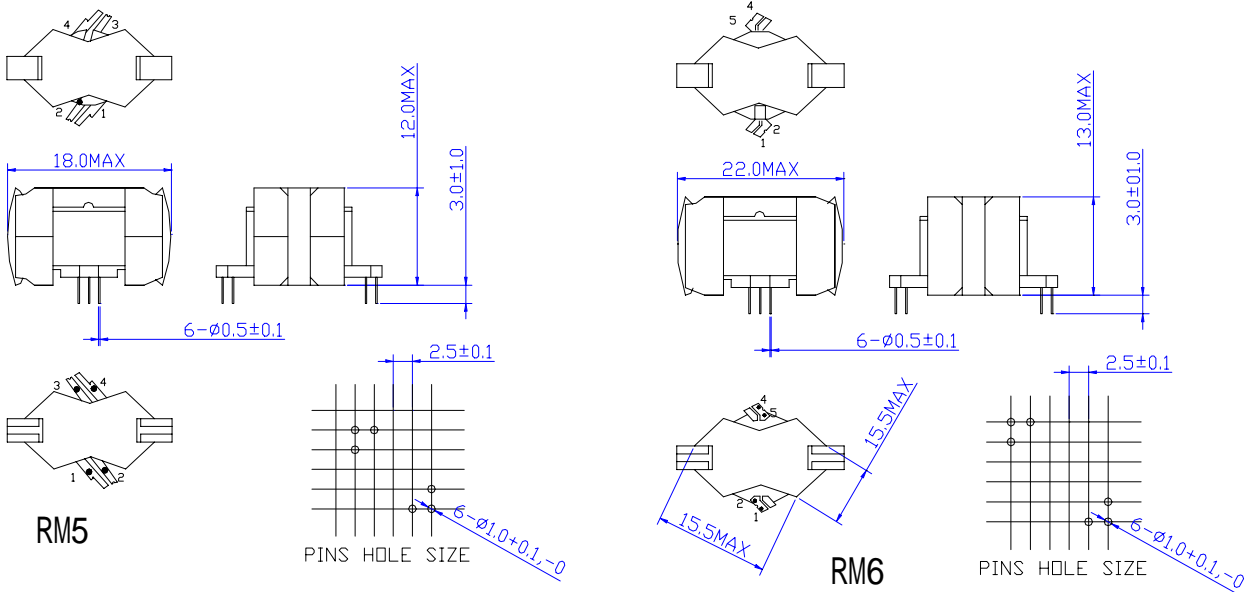


Transformers

RM Type

Typical Mechanical Construction and Dimensions



Applications

Used for Switching mode power supply unit.

TVs, VCRs, DVD players, printers, air conditioners, AC-DC adapters etc.

Use high permeability , low loss material

Design according to UL/VDE requirement

Custom made available